

**FITTING INSTRUCTIONS - NOTICE DE POSE - MONTAGE HANDLEIDING -
MONTAGEANLEITUNG ISTRUZIONI DI MONTAGGIO - INSTUCCIONES DE MONTAJE**

Warranty. This product is covered by a 10 year manufacturer's warranty. Please see the P C Henderson website for terms and conditions.

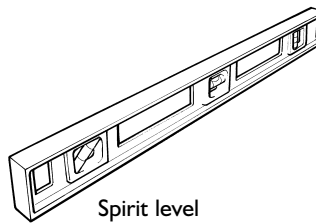
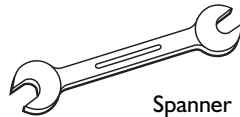
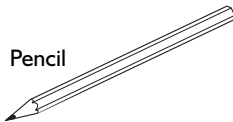
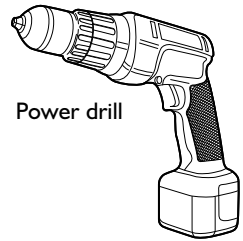
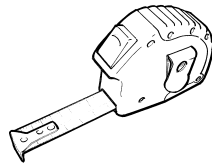
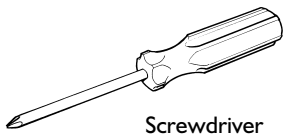
WATCH THE INSTALLATION VIDEO

Visit: www.pchenderson.com/rustic-installation

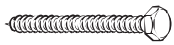
Or scan the QR code using your phone



Tools Required



Contents of Kit

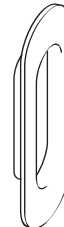


*M8x85 (x5) 2M (x7) 3M



(x5) 2M
(x7) 3M

(x2)



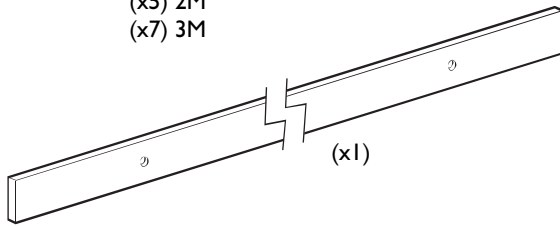
(x2)



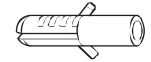
ST4.2x25 (x2)



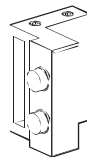
*M8x60 (x5) 2M
(x7) 3M



(x2)



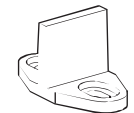
(x2)



(x2)



(x1)



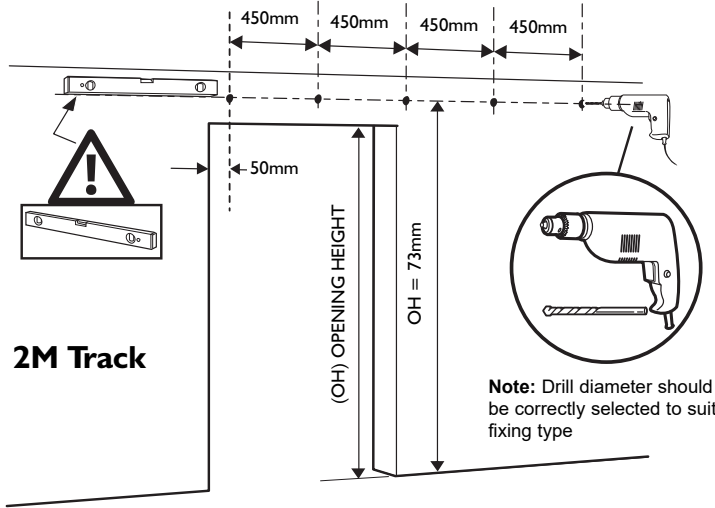
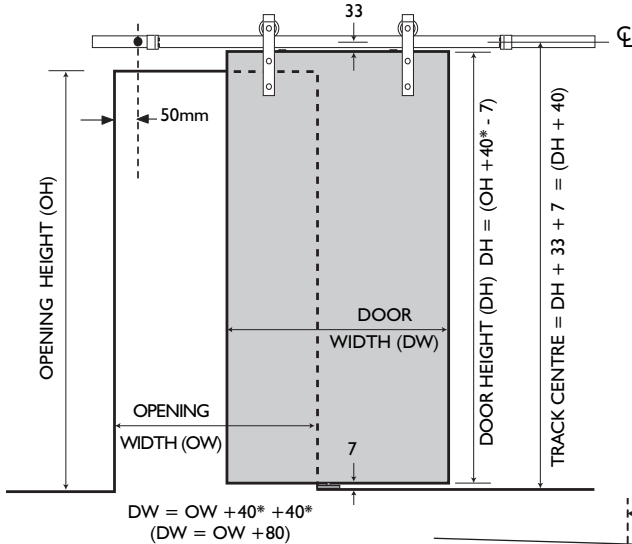
*M8x25 (x5) 2M
(x7) 3M



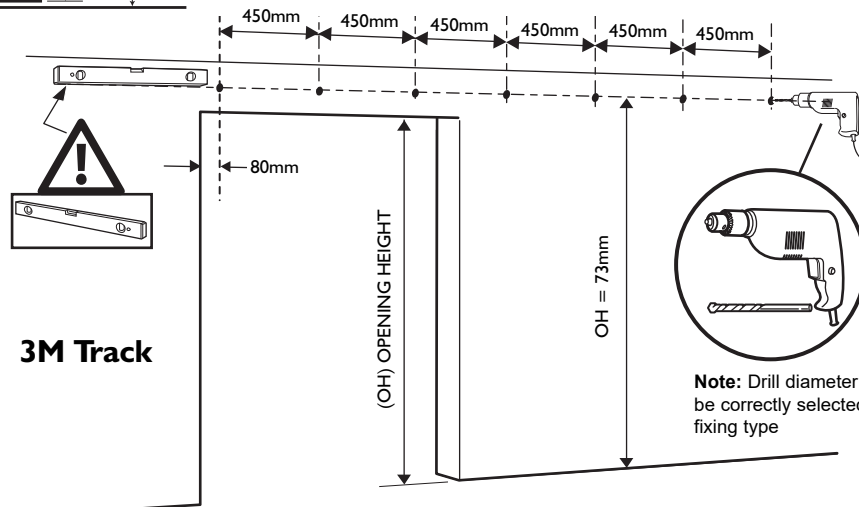
(x1)

*Alternative track fixings provided - depending on wall type

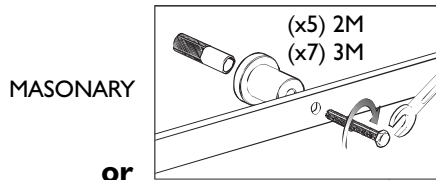
I. Mark and drill fixing holes



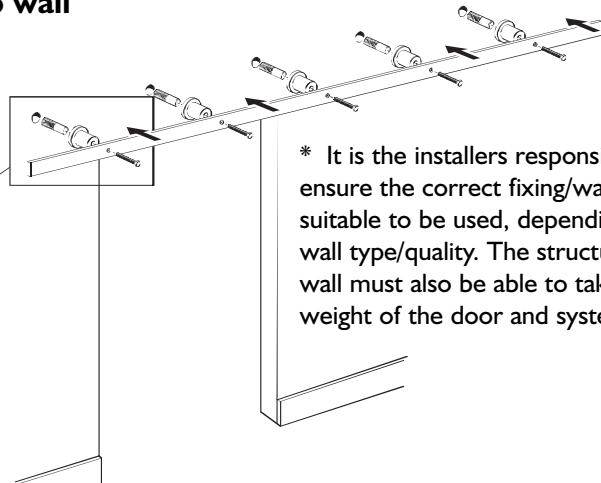
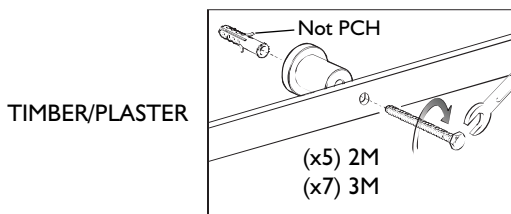
*PCH Suggests 40mm overlap of the door to the opening.



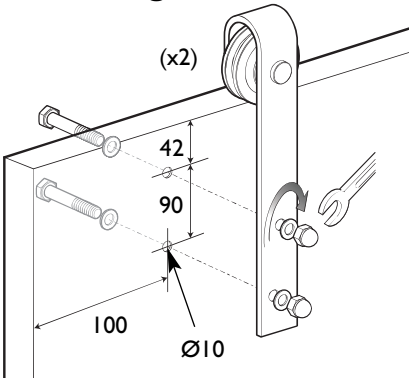
2. Fix M8 screw inserts, spacers and track to wall



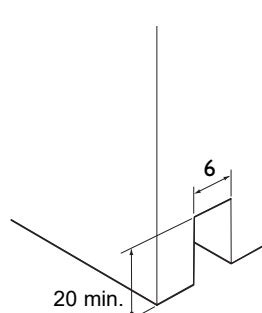
or



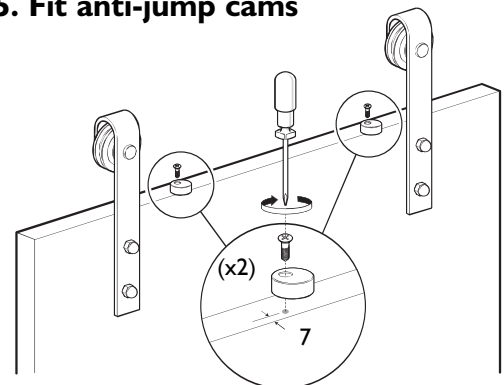
3. Fix hangers to door



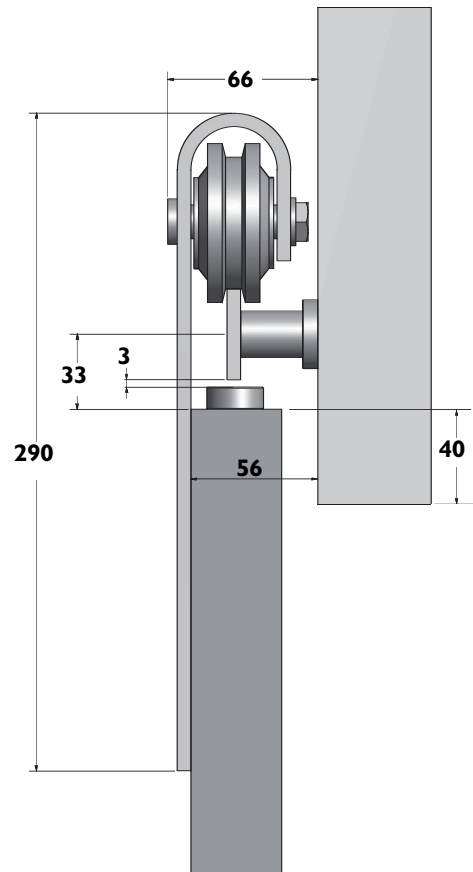
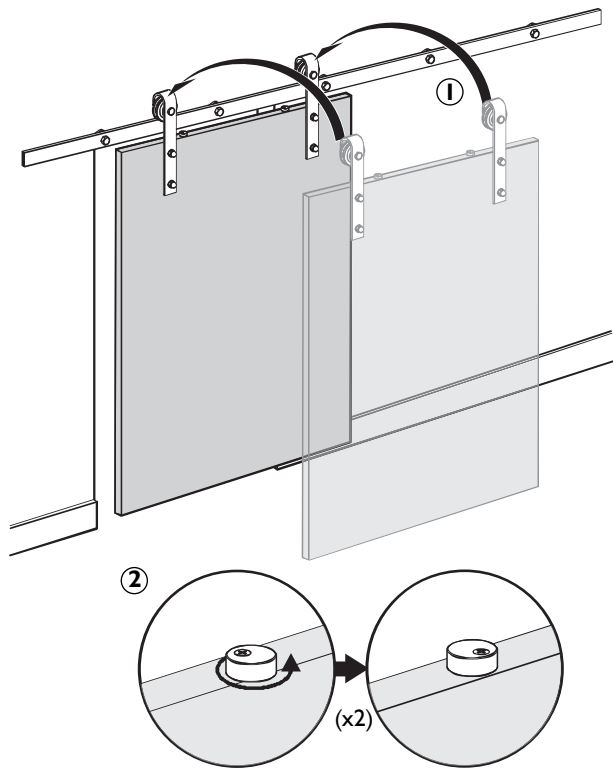
4. Floor guide routing detail



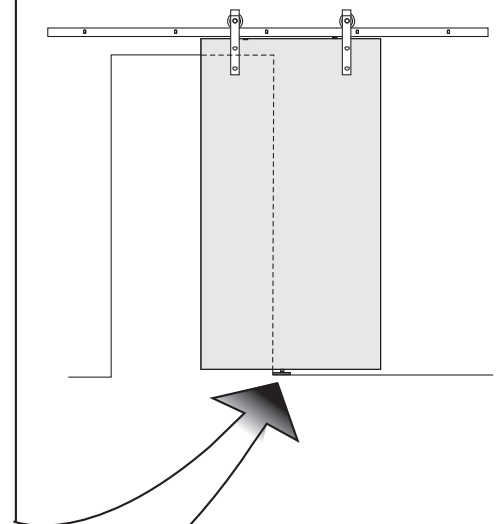
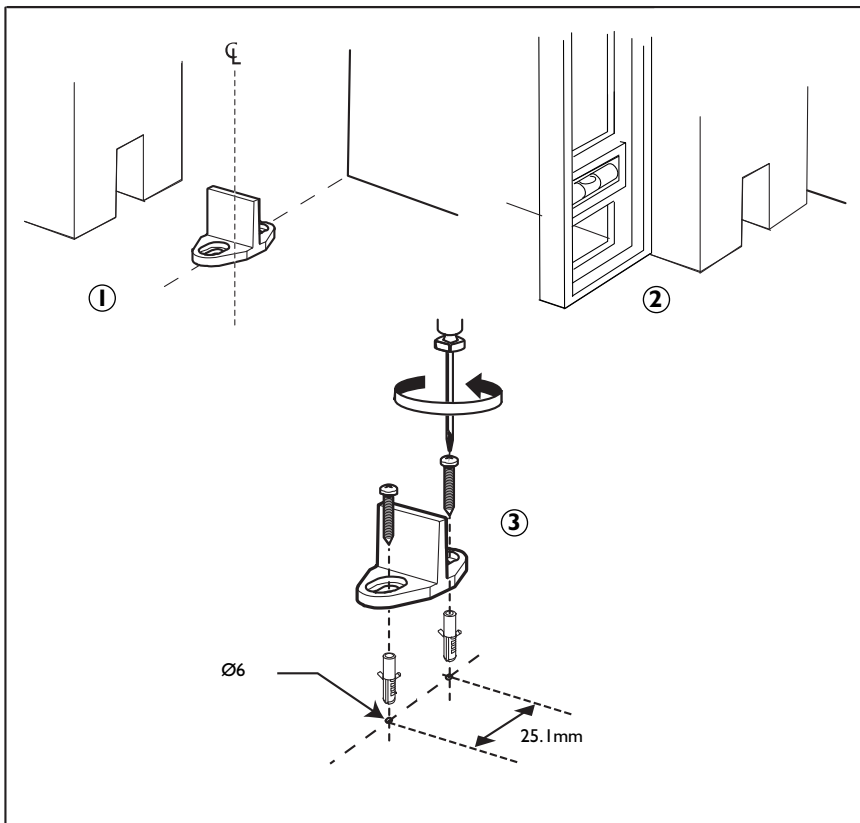
5. Fit anti-jump cams



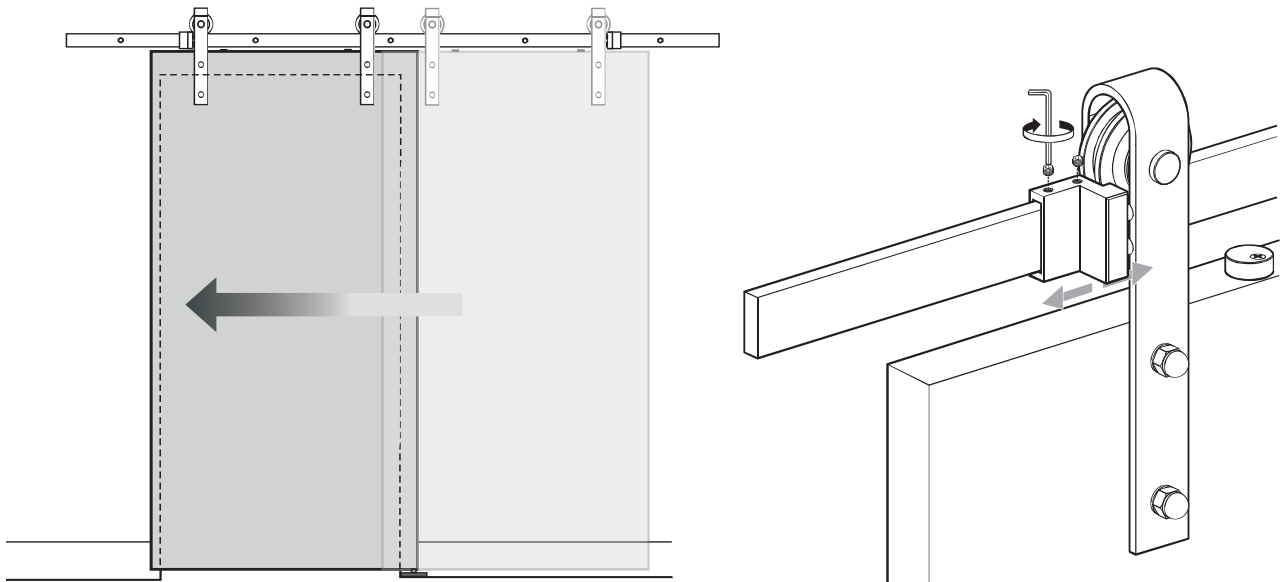
6. Hang door and adjust anti-just cams



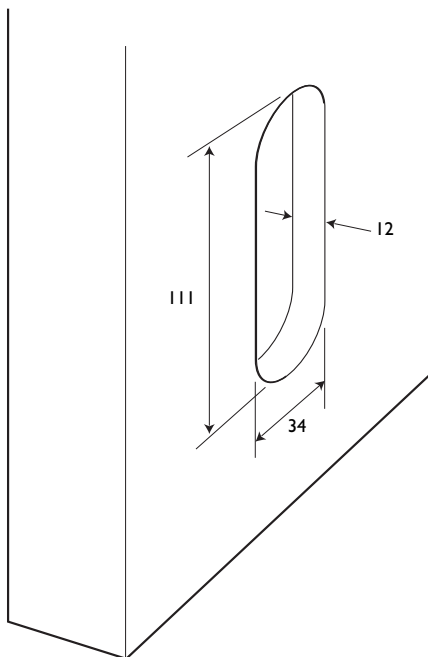
7. Fit floor guide



8. Fit and adjust door stops



9. Flush pull handle routing detail



10. Fit flush pull handle

