



## Steelworx Small Circular Flush Pull

### Product Images

---



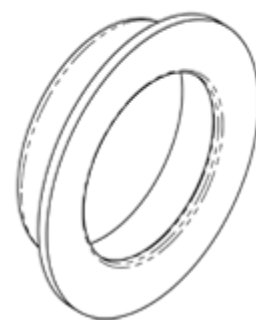
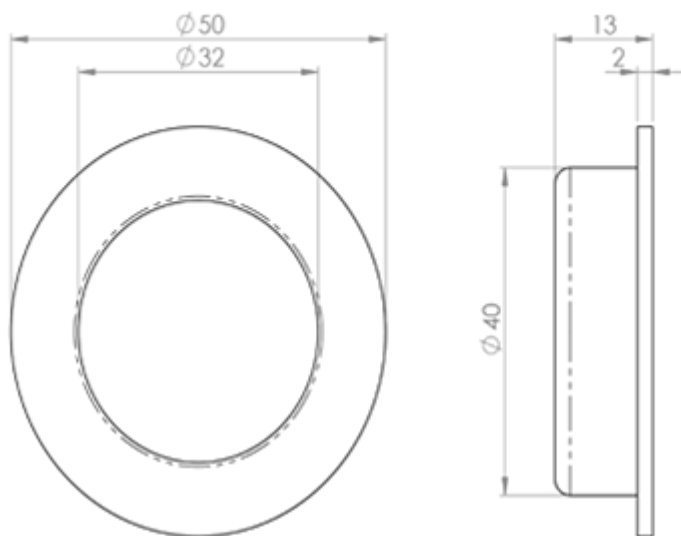
### Description

---

48mm Dia. A circular shaped low profile flush pull which is used mainly on sliding doors. The main cup is recessed back into the door to leave a flush

appearance. For use on doors, wardrobes or cupboards. Part of the Steelworx Stainless Steel range. Fire door rated. Suitable for domestic and commercial use.

## Technical Details



EUROSPEC

FPH1002

This drawing is the property of Carlisle Brass Limited, all design rights reserved

## Specification



## Additional Information

Short Description	Steelworx Small Circular Flush Pull
SKU	FPH1002
Brands	Eurospec
Technical	4,26
Line Drawings	FPH1002.PDF

## Product Options

---

Finishes:

Bright Stainless Steel

Satin Stainless Steel

