



Oakley Lever On Latch

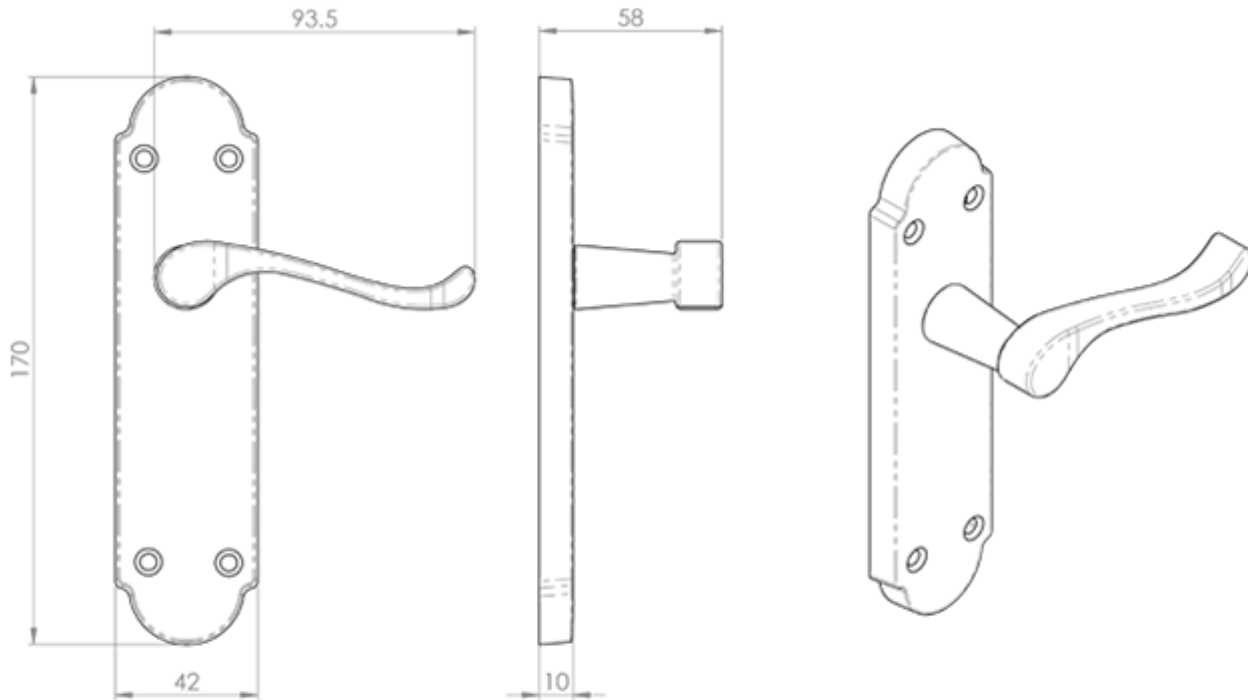
Product Images



Description

Lever on latch backplate. A conventional Victorian style upturned handle on a shaped backplate, elegant and versatile. The back plate has an shouldered shape that gives a classical appearance, while the lever features a scroll style that is very easy to grip. Comes with a 10 year mechanical guarantee and is Fire door rated.

Technical Details



© CARLISLE BRASS

DL167

This drawing is the property of Carlisle Brass Limited, all design rights reserved

Specification



Additional Information

SKU	DL167 Range
Brands	Carlisle Brass
Finishes	Polished Brass
Technical	4,25,49
Line Drawings	DL167.PDF

Product Options

Options:	Blister Pack
	Boxed

