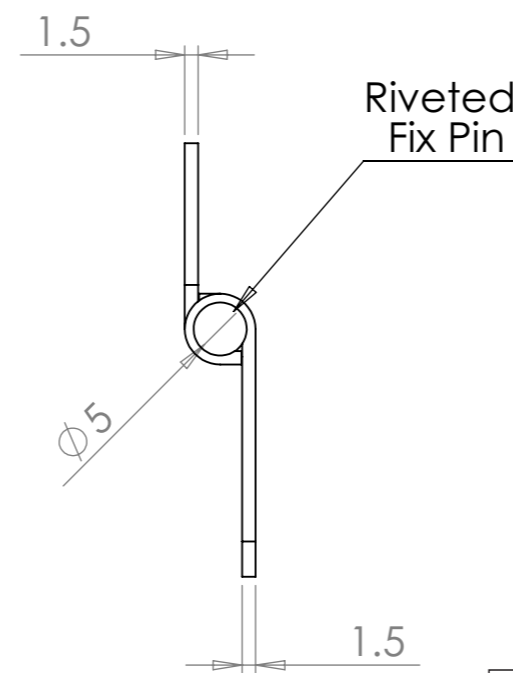



Holes For No.6
CSK Wood Screw



UNLESS OTHERWISE STATED DIMENSIONS ARE IN MILLIMETRES (MM)		COMPANY: A PERRY & CO. (HINGES) LTD.	
PRODUCT MODEL No.			
105-75mm			
DRAWN BY: GRAEME SERVICE	SCALE 2:1 DATE: 10/06/2010	PRODUCT WEIGHT: 49g	A3