



Madrid Lever on Latch Backplate

Product Images

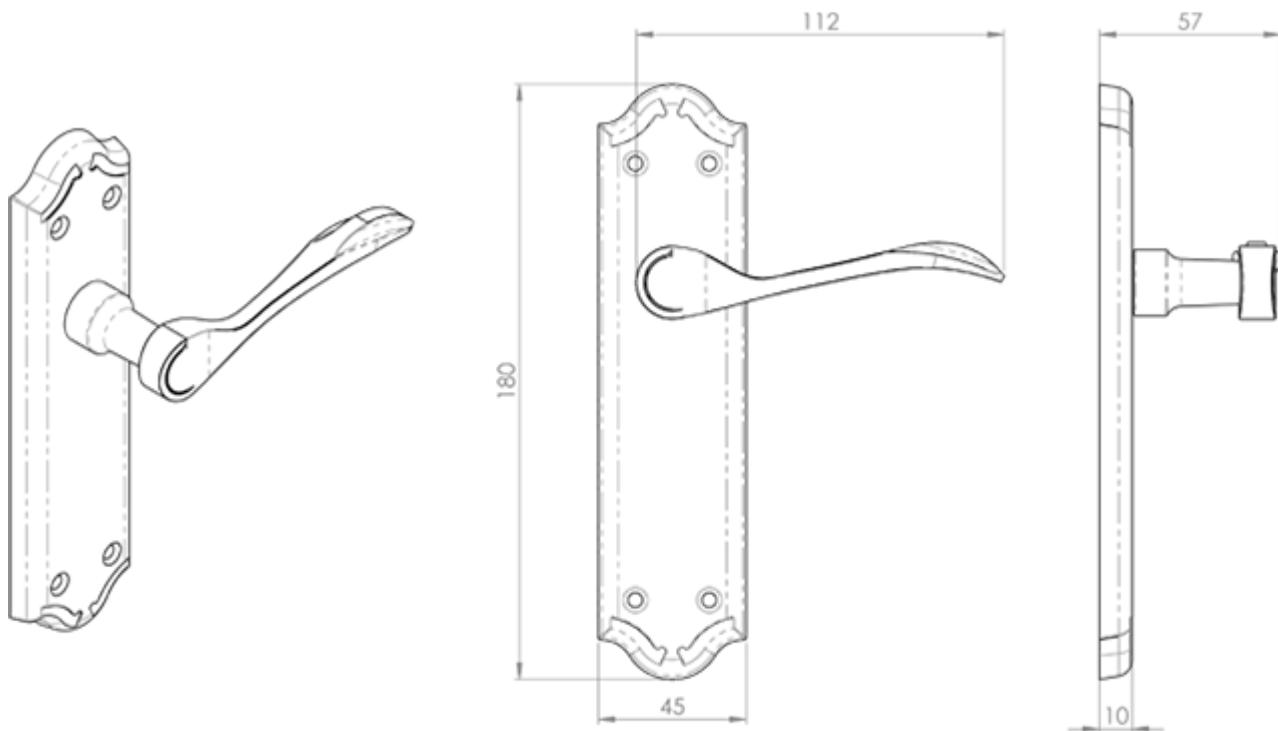


Description

Lever on latch backplate. Classically styled curved lever on a shaped backplate with detailing to both lever and backplate. Suitable for a more traditional

doors. Comes with a 10 year mechanical guarantee and is Fire door rated.

Technical Details



CARLISLE BRASS

DL191

This drawing is the property of Carlisle Brass Limited, all design rights reserved

Specification



Additional Information

SKU	DL191 Range
Brands	Carlisle Brass
Finishes	Polished Brass
Technical	4,25,49
Line Drawings	DL191.PDF

Product Options

Options:

Blister Pack

Boxed

