

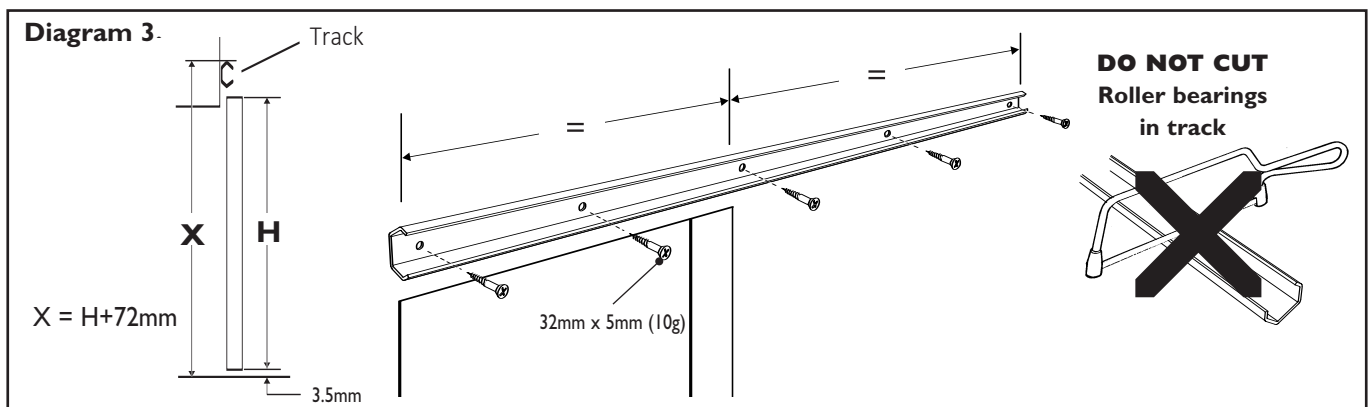
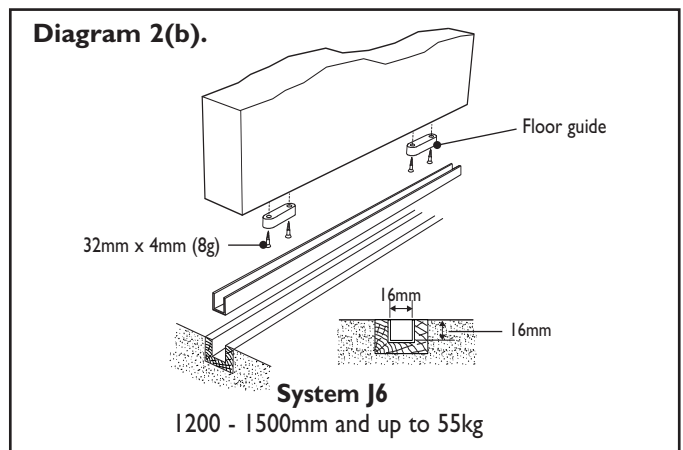
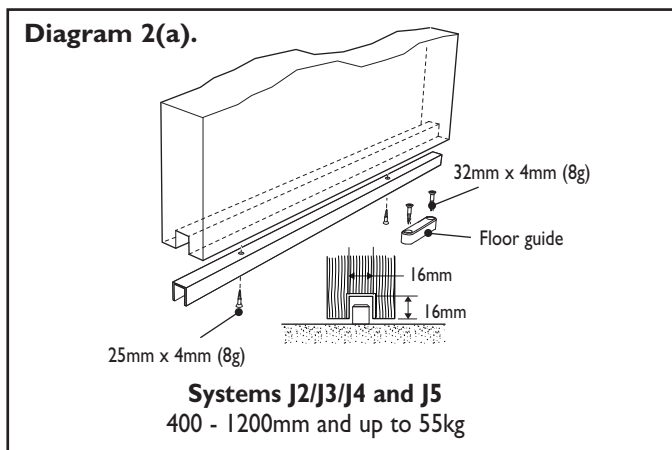
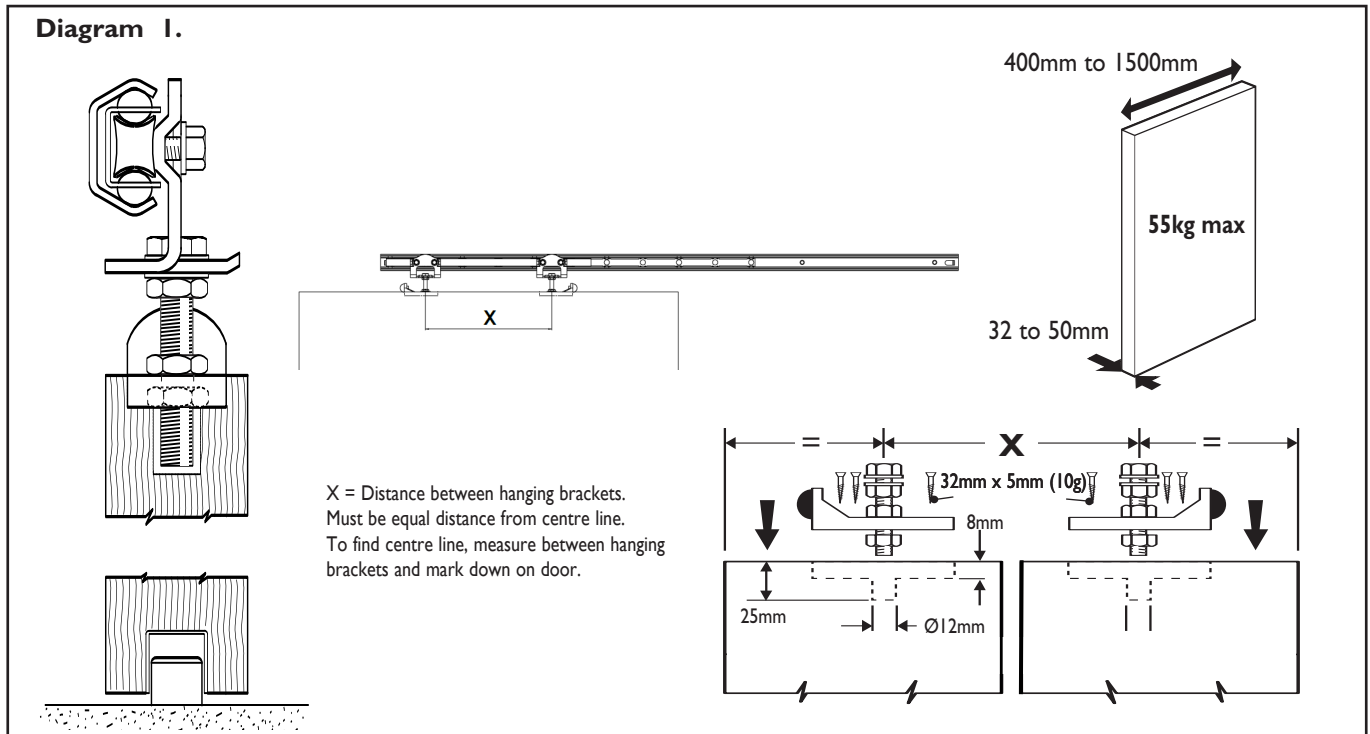
**FITTING INSTRUCTIONS - NOTICE DE POSE - MONTAGE HANDLEIDING - MONTAGEANLEITUNG  
ISTRUZIONI DI MONTAGGIO - INSTUCCIONES DE MONTAJE**

**Warranty.** This product is covered by a 10 year manufacturer's warranty. Please see the P C Henderson website for terms and conditions.

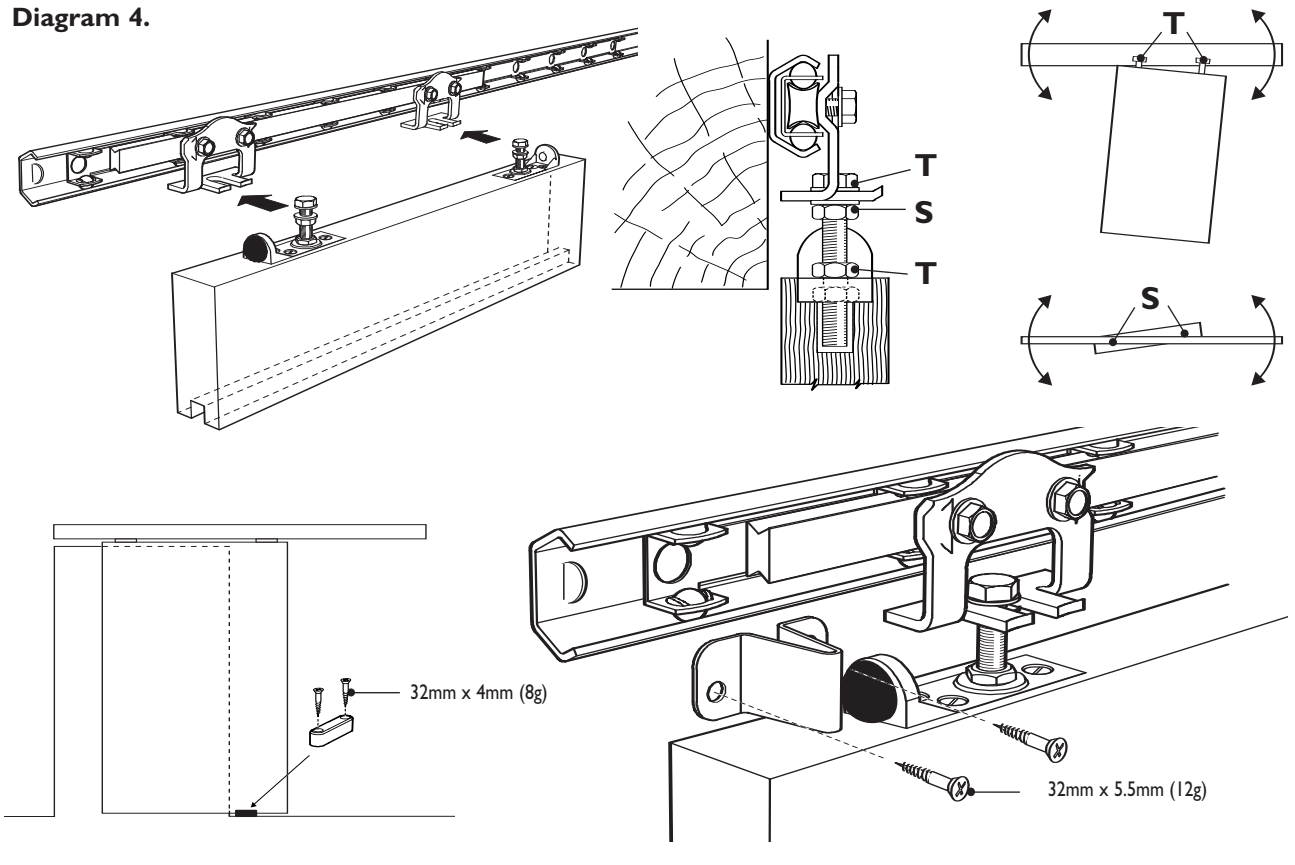
## WATCH THE INSTALLATION VIDEO

Visit: [www.pchenderson.com/marathon-installation](http://www.pchenderson.com/marathon-installation)

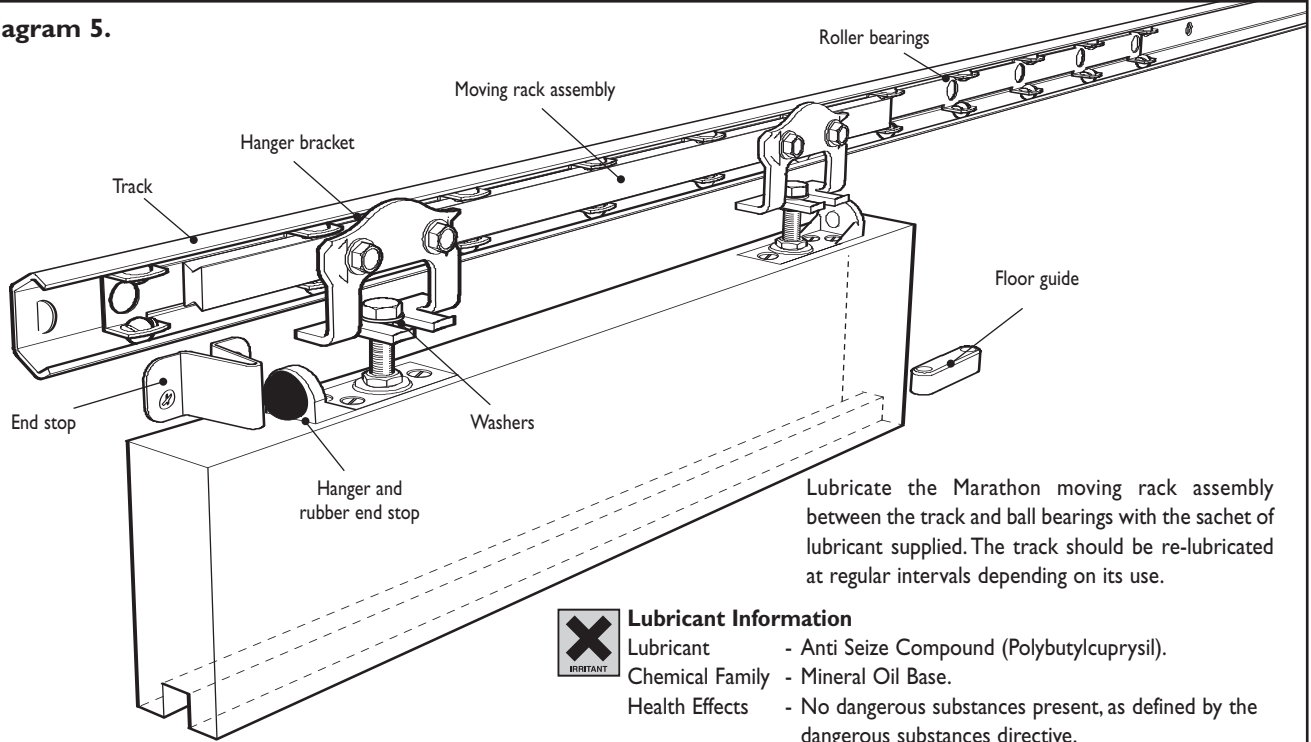
Or scan the QR code using your phone



**Diagram 4.**



**Diagram 5.**



Lubricate the Marathon moving rack assembly between the track and ball bearings with the sachet of lubricant supplied. The track should be re-lubricated at regular intervals depending on its use.



**Lubricant Information**

- Lubricant - Anti Seize Compound (Polybutylcuprysil).
- Chemical Family - Mineral Oil Base.
- Health Effects - No dangerous substances present, as defined by the dangerous substances directive.
- First Aid - Eyes: Wash with water and consult medical practitioner.
- Skin: Wash with warm water and soap.
- Ingestion: Call medical practitioner immediately.



H411 Toxic to aquatic life with long lasting effects.  
 P273 Avoid release to the environment.  
 P391 Collect spillage.  
 P501 Dispose of contents/container in accordance with local/regional/national/international regulations.

Please see website for Health & Safety datasheet.

P C Henderson Ltd, Durham Road, Bowburn, Co. Durham, DH6 5NG, UK  
**UK Sales**  
 t: +44 (0) 191 377 7345  
 e: sales@pchenderson.com  
 w: www.pchenderson.com

**Export Sales**  
 t: +44 (0) 191 377 7346  
 e: international@pchenderson.com  
 w: export.pchenderson.com

Part No: 300535  
 Nov 2023  
 Issue 15



**UK Registered Address:** P C Henderson Ltd, Durham Road, Bowburn, Co. Durham, DH6 5NG  
**Republic of Ireland Registered Address:** P C Henderson Ltd, Westlink Industrial Estate, Kylemore Road, Dublin 10, Ireland  
**Holland Registered Address:** Henderson Nederland BV, Rootven 14, 5531 MB, Bladel