

# C-Series Door Furniture

3R35F-R

Lever/Pull Furniture to suit 3R35 Lock



ASSA ABLOY

## Application:

- Easily reversible sprung furniture
- Stylish return-to-door lever handle design
- Suitable for internal and external use

## Specification:

- Lever handle/fixed pull mechanism
- Sprung handle mechanism from inside
- Fixed pull outside
- Plate Projection: 10.5mm
- Plate Length: 200mm
- Plate Width:
  - 43.5mm (base)
  - 50mm (top)
- Spindle: Steel, 8mm square
- Centres: 57mm
- Available in SC and CH finishes

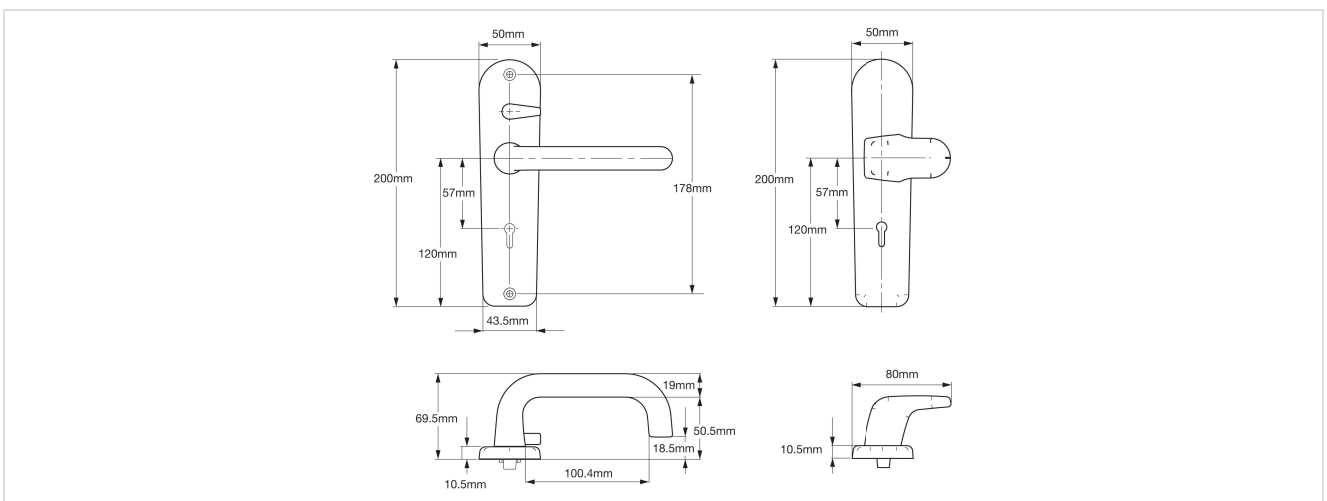


## Finish:

- SC - Satin Chrome
- CH - Polished Chrome



## Technical Design:



# C-Series Door Furniture

3R35F-R

Lever/Pull Furniture to suit 3R35 Lock



ASSA ABLOY

## Variants:

Code	Description
B-3R35F-R-CH	3R35 RAD. NH LEVER/PULL CH
B-3R35F-R-SC	3R35 RAD. NH LEVER/PULL SC