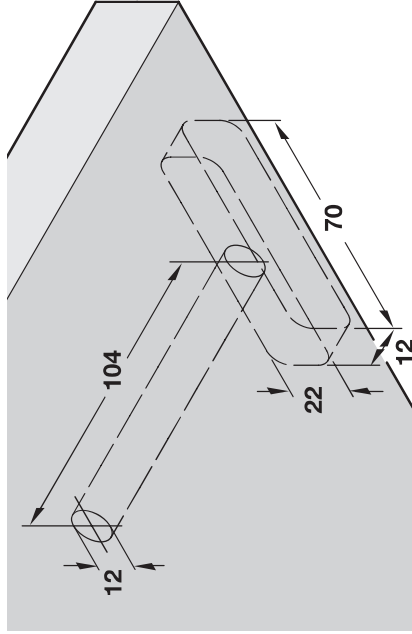
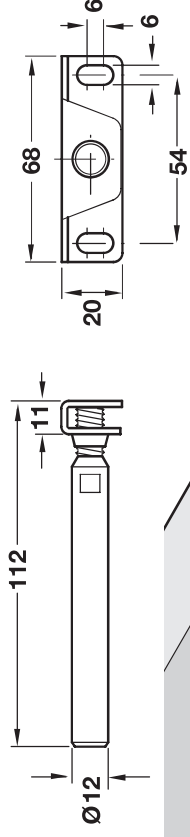
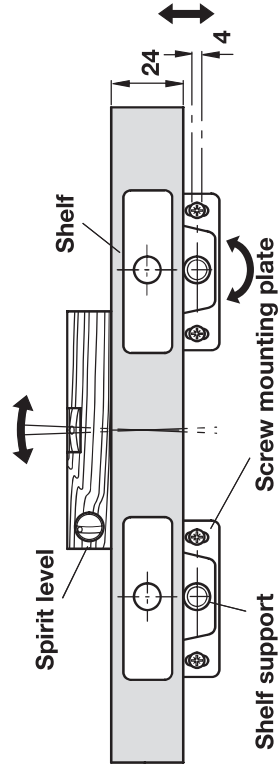


Concealed shelf support, for installation into woodwork or masonry walls

- > For concealed mounting of shelves
- > For installation into woodwork or masonry walls
- > With screw mounting plate
- > Fitting consists of:
 - 1x Supporting pin with mounting plate, galvanized steel
- > Supporting pin is installed in a \varnothing 12 mm hole in the shelf, the pin may be exposed or concealed depending on the thickness of the shelf
- > Height adjustable via slots
- > Inclination adjustment using supporting pin which presses on the rear plate when turned in
- > Order fixing screws separately
- > Order qty: Multiples of 4 pcs



Height and inclination adjustment possible as shown on the right



Shelf depth mm	Max. load kg/m ²
200	200
250	140
300	80

Max. 700 mm distance between shelf supports, with evenly distributed load



For min. shelf thickness

24 mm

Cat. No.

283.33.910