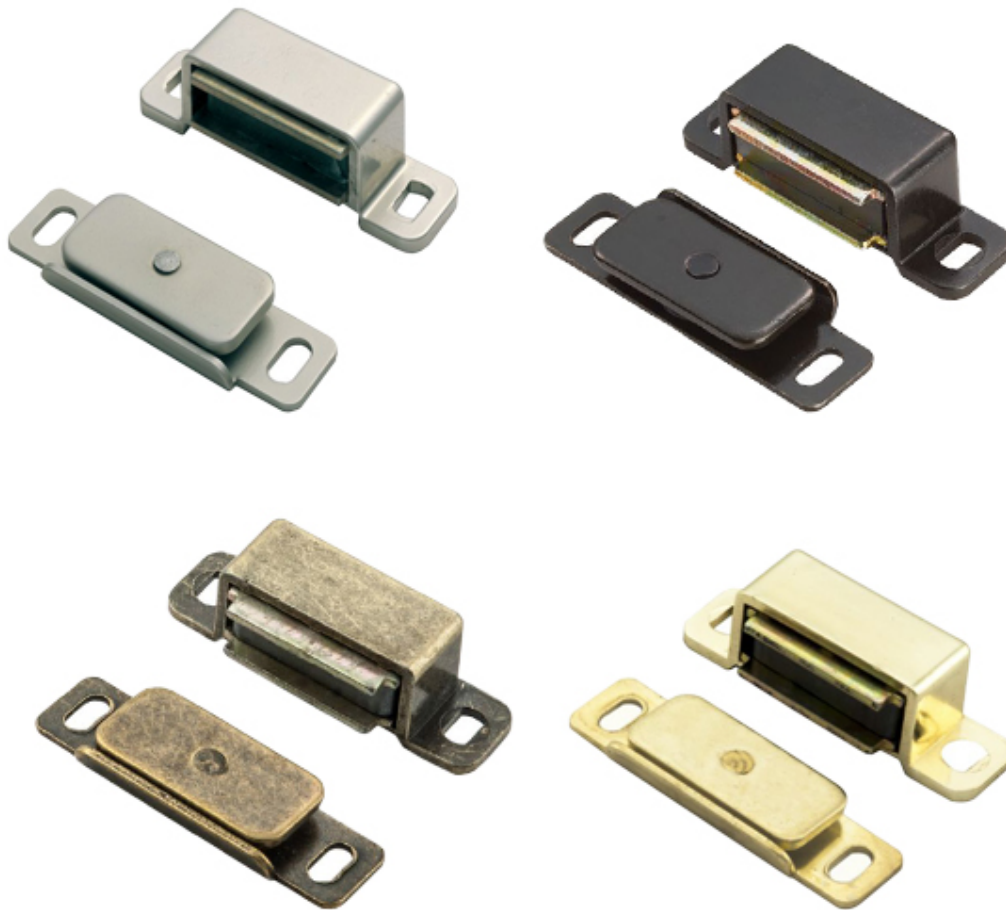


Superior Steel Magnetic Catch

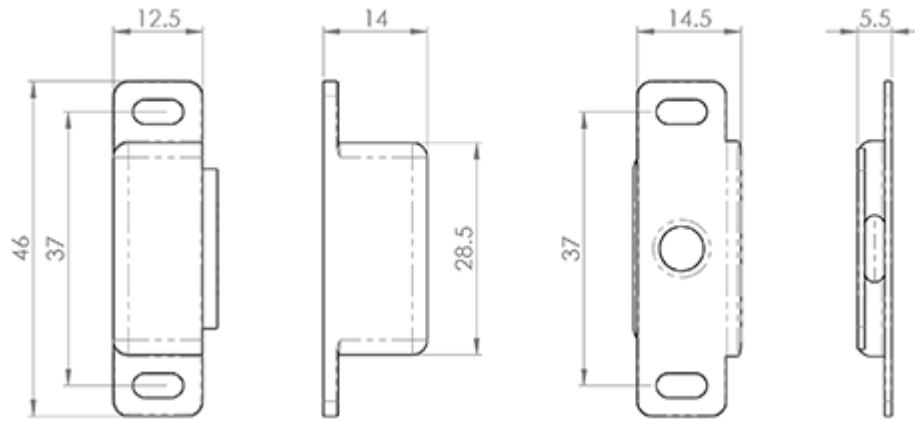
Product Images



Description

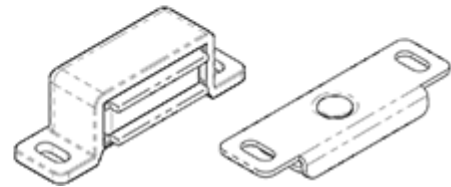
A steel magnetic catch suitable for use on wardrobes, cupboards and lightweight internal doors. Available in different finishes and pull strengths.

Technical Details



CARLISLE BRASS
FTD840

This drawing is the property of Carlisle Brass Limited, all design rights reserved



Specification



Additional Information

| | |
|-------------------|-----------------------|
| Short Description | Steel Magnetic Catch |
| SKU | FTD840 |
| Brands | Carlisle Brass |
| Features | 3.5kg Pull |
| Technical | 4 |
| Line Drawings | FTD840.PDF,FTD850.PDF |

Product Options

| | |
|-----------|-------------------|
| Finishes: | Nickel Plate |
| | Florentine Bronze |
| | Electro Brassed |
| | Black |
| Options: | 3.5kg pull |
| | 6kg pull |