

C-Series Mortice Locks

3G114

5 Lever Mortice Deadlock

Application:

- For timber door hinged on the left or the right
- Keys are suitable for use on doors up to 50mm thick

Specification:

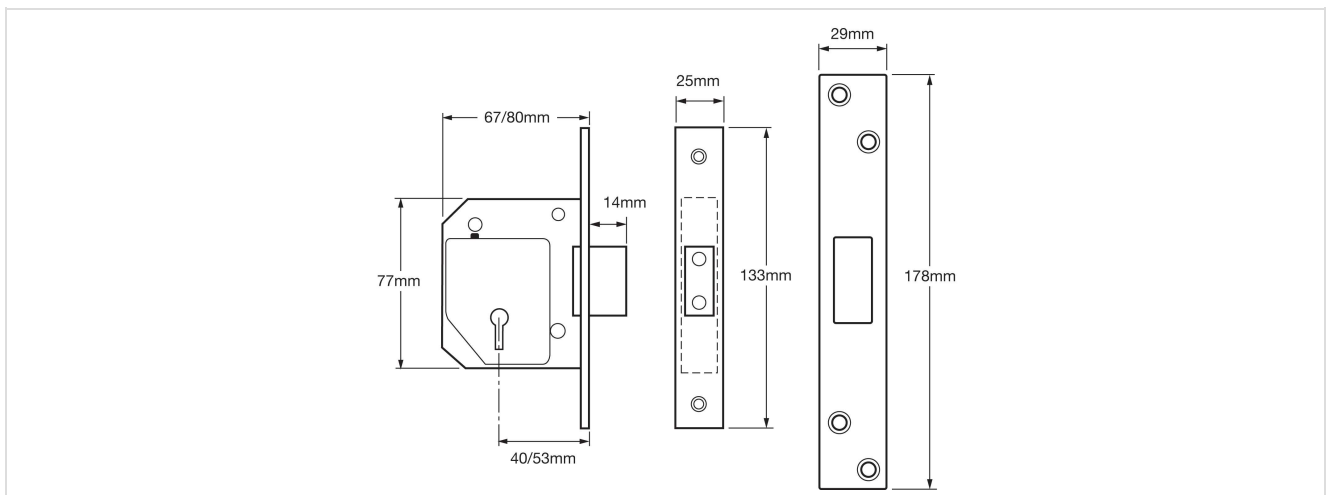
- Deadbolt is locked or unlocked by key from either side
- Force resistant, anti drill, anti-pick and anti-saw security features
- Available with square forend and striking plate
- 14mm bolt throw
- Supplied with one plain escutcheon and one escutcheon with a cover plate, finished to match the faceplate/strike
- Case Size: 67mm or 80mm
- Backset: 40mm or 53mm
- Case: Silver powder coat
- Forend: Stainless steel or brass
- Box Strike Assembly: Painted to match forend
- Deadbolt: Brass, with hardened steel rollers
- Latch Bolt: na
- Follower: na
- Keying Groups: Standard differ or to pass. Not suitable for master keying
- Keys supplied: Standard differ supplied with 2 keys. For locks to pass please specify number of keys required
- Key Blank Number: B-K722
- Cut Key Number: B-5LC
- Rebate Kit: B-3G114R (13mm, 19mm and 25mm)
- Available in SC and PL finishes



Finish:

- SC - Satin Chrome finish
- PL- Polished Brass finish

Technical Design:



C-Series Mortice Locks

3G114

5 Lever Mortice Deadlock



ASSA ABLOY

Variants:

Code	Description
B-3G114-PL-67	5 LVR MORT. D.LOCK (14MM D.BOLT), PB, 67MM CASE,
B-3G114-PL-80	5 LVR MORT. D.LOCK (14MM D.BOLT), PB, 80MM CASE,
B-3G114-SC-67	5 LVR MORT. D.LOCK (14MM D.BOLT), SS, 67MM CASE,
B-3G114-SC-80	5 LVR MORT. D.LOCK (14MM D.BOLT), SS, 80MM CASE,
B-3G114-20SC-67	TRADE PACK 20 MORT DEADLOCKS
BP-3G114-SC-67	5 LEVER MORTICE DEADLOCK
B-3G114DP-SC-67	DOUBLE POLE MORTICE
B-3G114SP-SC-67	MORT.D/LOCK SPMS SAT