



## Wing Lever on Short Latch Backplate

### Product Images

---



### Description

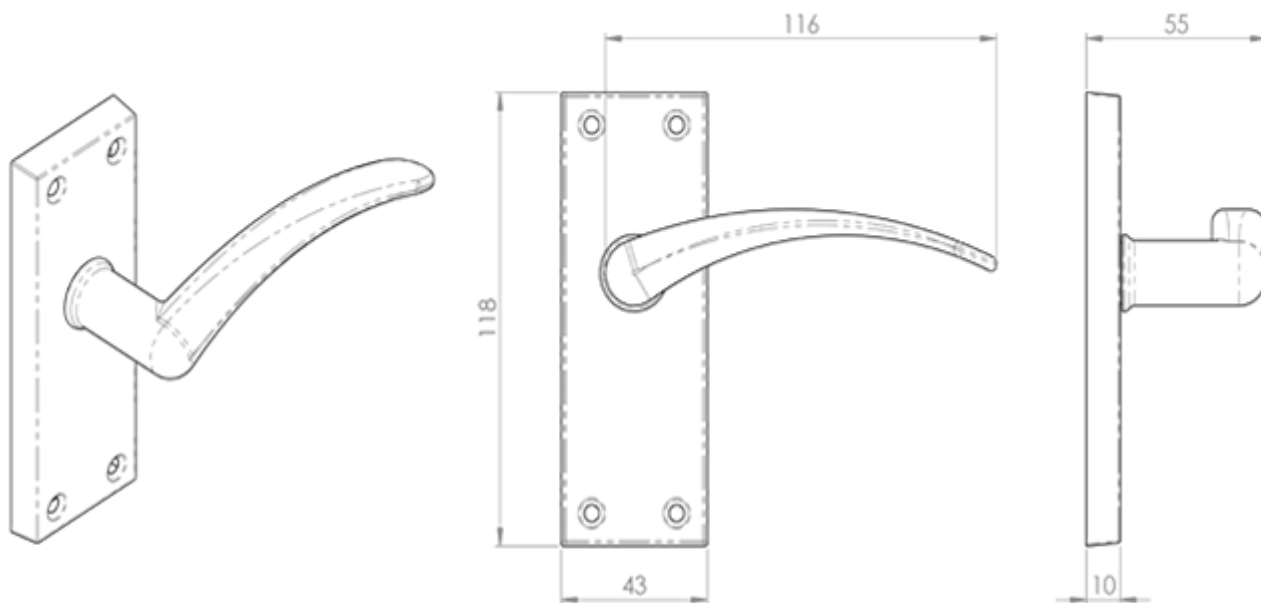
---

Lever on latch backplate. A slim curved lever on a rectangular backplate. The arched lever handle features a sleek curve, thinning out towards the end for a comfortable and ergonomic grip. The backplate has a square, modern design which nicely compliments and offsets the lever style. A contemporary door handle that features a sophisticated and elegant design. Comes with a 10 year mechanical guarantee and is Fire door rated.

[Click here for care instructions](#)

## Technical Details

---



CARLISLE BRASS

### DL65

This drawing is the property of Carlisle Brass Limited, all design rights reserved

## Specification

---



## Additional Information

---

Short Description	Wing Lever on Short Latch Backplate
SKU	DL65SC
Brands	Carlisle Brass
Finishes	Satin Chrome
Options	Latch
Sizes	115mm x 42mm Backplate
Technical	4,25
Line Drawings	DL65.PDF
Unit of Sale	Pair

