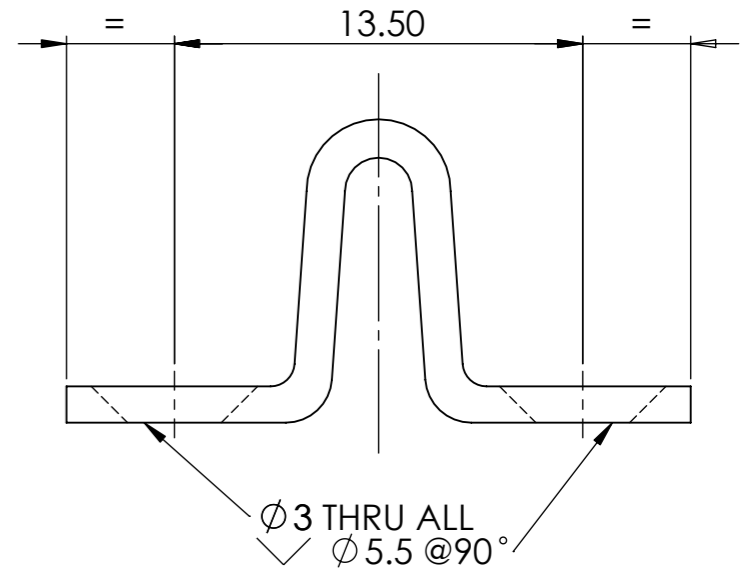
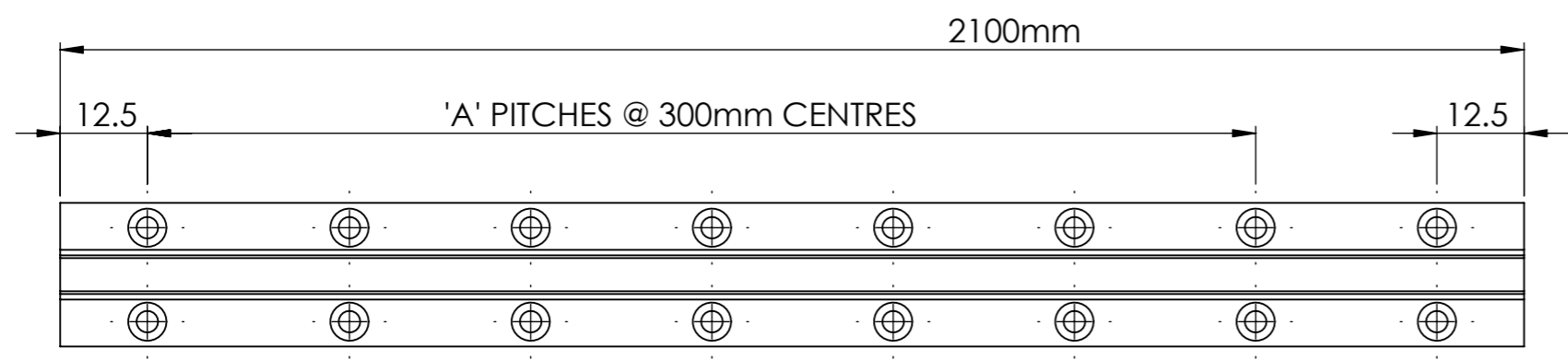


8 7 6 5 4 3 2 1

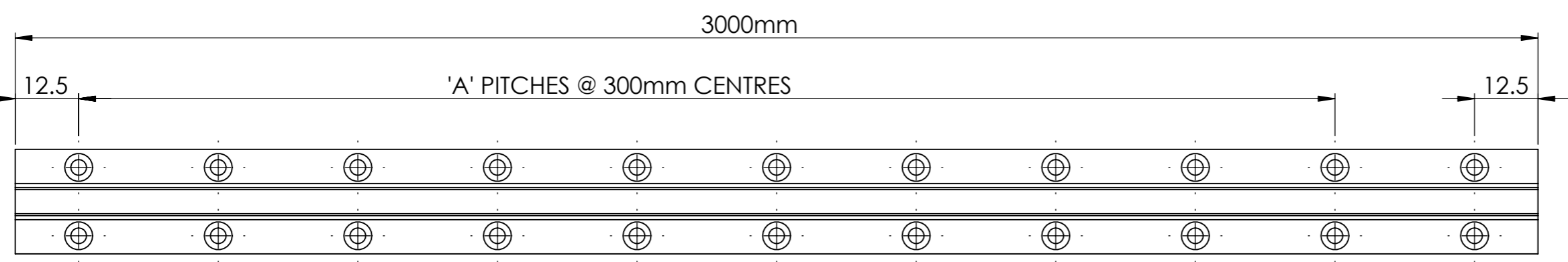
REVISIONS				
ZONE	REV.	DESCRIPTION	DATE	APPROVED
	01	M3328	02/09/98	B.PEARCE
	02		21/02/06	
	03	M3554	28/02/06	
	04	DIFFERENT LENGTH VIEWS ADDED TO DRAWING	29/01/10	B.S.A

D



C

B



A

PART No.	LENGTH (mm)	PITCHES 'A'	No. OF HOLES	MATERIAL
66-4-21	2100	6	16	4/05007.121/438
66-4-30	3000	9	22	4/05007.130/438

COBURN
SLIDING SYSTEMS

HILLALDAM COBURN LTD
UNIT 16, MERTON INDUSTRIAL PARK
LEE ROAD, LONDON
SW19 3HX,
UK

COPYRIGHT HILLALDAM COBURN LTD

THE INFORMATION CONTAINED IN THIS DRAWING IS THE SOLE PROPERTY OF <HILLALDAM COBURN LTD>. ANY REPRODUCTION IN PART OR AS A WHOLE WITHOUT THE WRITTEN PERMISSION OF <HILLALDAM COBURN LTD> IS PROHIBITED.

MATERIAL SEE TABLE	FINISH	UNLESS OTHERWISE SPECIFIED: DIMENSIONS ARE IN MM TOLERANCES: FRACTIONAL ± ANGULAR: MACH ±0.5 BEND ± ZERO PLACE DECIMAL ± 0.2 ONE PLACE DECIMAL ±0.1 TWO PLACE DECIMAL ±0.05	NAME	DATE	CAD FILE: TITLE: 66-4 BOTTOM TRACK SIZE DWG. NO. REV A3 66421-30 04	
			DRAWN	B. PEARCE		02/09/98
			CHK	B. S. A		29/01/10
APPLICATION	DO NOT SCALE DRAWING	COMMENTS: REMOVE ALL SHARP EDGES AND BURRS	SCALE: NTS	WEIGHT:	SHEET 1 OF 1	

8 7 6 5 4 3 2 1