

## K700 -

### Model Prepared for European Style Cylinder Lock Cases

Use the **Keylex 700** on all standard duty, high security external door installations and on any door where a flexible Euro profile key system is required. Always choose the **K2100K** option for military, police and fire service installations.

The narrow stile **Keylex 700** design, with its built-in clutch mechanism protecting the lock furniture, will suit all stile widths down to 45mm and is particularly suited for use on aluminium and hollow metal door sections.

The **Keylex 700** can be expected to give many years' service if specified and maintained correctly.

### Standard Features & Benefits

- **Standard duty mechanism** -  
Allows many hundreds of operations per day
- **Entirely mechanical operation** -  
No electronics or electrical wiring involved
- **Allows code combinations of up to 12 buttons** -  
Over 4,000 selectable code permutations (recommended 3 to 6 digit codes)
- **Code scramble** -  
Allows all codes to be entered in any order
- **Slipping clutch mechanism** -  
Nullifies forced attack or vandalism from the outside
- **Brushed stainless steel buttons** -  
Will not indicate usage
- **Free exit** -  
See function descriptions below for details

### Sash Lock Function

This function utilizes a standard sash lock that locks the door on the latch every time the door closes.

An authorized code is required to override the latch from the outside unless the 'optional' passage function is set to 'free' or unless the key override facility is used; in which case the key will override any pre-set code.

Similarly the key will override the deadbolt and the latch in sequence if the dead bolt is thrown. The door is always 'free from fixings' for immediate egress from the inside if a cylinder & turn combination is used to control the deadbolt.

See also **Important Note** on page 7.



Euro Profile Sash Lock w. 60mm Backset

### Suitability

The **Keylex 700** lock body and internal mechanism construction is cast zinc and solid brass with stainless steel code buttons and is suitable for use on external perimeter doors & all internal doors -

- Timber
- Aluminium
- Steel
- Composite

The **Keylex 700** suits door thicknesses between 30mm and 58mm standard. Please advise all door thicknesses in excess of 58mm.

The **Keylex 700** suits clear stile widths of 70mm when used with a standard sash lock with a backset length of 50mm. This reduces to a minimum stile width of 45mm when used with an optional sash lock with a 25mm backset length.

**NB** - Stop depths may restrict suitability.

### Night Latch Function

A cylinder night latch function can be used where security levels are not paramount. This option locks the door on the latch every time the door closes but does not offer a dead bolt back up.



Euro Profile Night Latch w. 60mm Backset

An authorized code is required to override the latch from the outside unless the 'optional' passage function is set to 'free' or unless the key override facility is used in which case the key will override any pre-set code. The door is always 'free from fixings' for immediate egress from the inside via the lever.

See also **Important Note** on page 7.

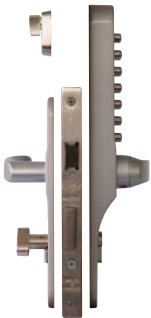
### Application Restriction

Do not use this product on military, police, fire service and other installations where heavy handed use/abuse can be expected. Specify **K2100** series.

Some manufacturers' lock cases are very heavily sprung and will exert extreme forces at the lever mounting assembly, occasionally resulting in failure. Wherever possible this scenario should be avoided. Please choose your lock case with care. The inclusion of incompatible lock cases will void any warranty. If in doubt, please consult the sales office.

## Features & Benefits (\*Optional)

- **Passage function** - Allows free passage from both sides at code users' discretion - supplied as standard (installed only when required)
- **Key override\*** - Allows key holder access in all instances without prior knowledge of the user code - Escutcheons are prepared as standard to suit Euro profile cylinders with oval cylinder preparation to special order
- **Rebate kits\*** - Two part rebate kits are available for rebates @ 12.5mm and 25mm with certain sash lock or night latch choices (refer to the sales office)
- **Extended door kits\*** - Factory fitted modifications including extended fixings, spindles and free passage turns to suit thicker doors to 75mm thick
- **Back-to-back\*** - A factory modification offering bi-directional coded access control



**K700L.72.72.SC**  
Version with passage function & optional sashlock case  
- showing Euro profile cylinder & turn

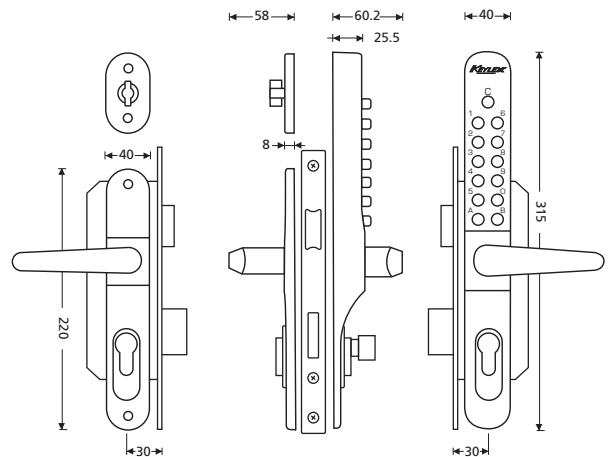


**K700L.72.72.BB.SC**  
Back-to-back option with sash lock 50mm backset- showing Euro profile double cylinder

## Critical Dimensions

### K700L.72.72.SC

Digital Lock (Levers) - Less Lock Case (72mm Centres Escutcheons x 2)



## Important Note

All **Keylex 700** models are supplied complete with outside lock body, inside lever furniture on back plate and escutcheons (x2) - but less the lock case. Lock cases must be ordered separately.

Cylinders are not supplied unless specifically requested.

### Finishes

- SC** - Silver with Stainless Steel Buttons
- DB** - Dark Bronze with Stainless Steel Buttons
- NP** - Nickel Plate Forend & Strike (all lock cases)

## How to Specify or Order

Part #	Description
K700L.72.72.SC	Digital Lock (Levers) - Less Lock Case (72mm Centres Escutcheons x 2)
K700L.85.85.SC	Digital Lock (Levers) - Less Lock Case (85mm Centres Escutcheons x 2)
K700L.92.92.SC	Digital Lock (Levers) - Less Lock Case (92mm Centres Escutcheons x 2)
K700L.BLANK.SC	Digital Lock (Levers) - Less Lock Case (Blank Escutcheons x 2)
K700L.72.BLANK.SC	Digital Lock (Levers) - Less Lock Case (72mm Centres/Blank Escutcheon)
K700L.85.BLANK.SC	Digital Lock (Levers) - Less Lock Case (85mm Centres/Blank Escutcheon)
K700L.92.BLANK.SC	Digital Lock (Levers) - Less Lock Case (92mm Centres/Blank Escutcheon)