

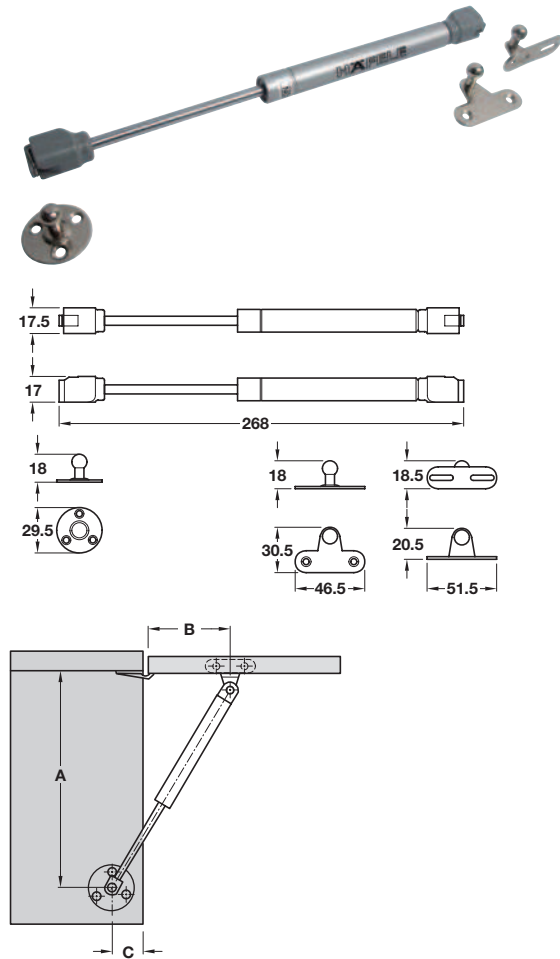
HÄFELE AUTOMATIC OPENING LID STAY

Unhanded design, suitable for wooden and aluminium framed doors.

Flap stay



- > Opening angles: 75°, 90° or 110°
- > For pneumatic support
- > Unhanded design
- > Clip-mounting on pre-mounted screw fixing brackets, no tools required
- > Suitable for wooden and aluminium frame doors (choice of bracket supplied)
- > Installation instructions included
- > Silver colour painted and polished chrome-plated lid stay, nickel-plated screw fixing brackets
- > Order qty: 1 pc



**Sample measurements table
maximum lid weight with 75° application**

Spring force	Lid height			
N	300 mm	400 mm	500 mm	600 mm
60	2.0 kg	1.5 kg	1.2 kg	1.0 kg
80	2.7 kg	2.0 kg	1.6 kg	1.4 kg
100	3.4 kg	2.6 kg	2.0 kg	1.8 kg
120	4.1 kg	3.1 kg	2.5 kg	2.0 kg
150	4.7 kg	3.5 kg	2.9 kg	2.4 kg

maximum lid weight with 90° application

Spring force	Lid height			
N	300 mm	400 mm	500 mm	600 mm
60	1.8 kg	1.3 kg	1.1 kg	0.9 kg
80	2.4 kg	1.8 kg	1.4 kg	1.2 kg
100	3.0 kg	2.2 kg	1.8 kg	1.5 kg
120	3.6 kg	2.7 kg	2.1 kg	1.8 kg
150	4.7 kg	3.2 kg	2.3 kg	2.1 kg

maximum lid weight with 110° application

Spring force	Lid height			
N	300 mm	400 mm	500 mm	600 mm
60	1.6 kg	1.2 kg	0.9 kg	0.8 kg
80	2.1 kg	1.6 kg	1.2 kg	1.0 kg
100	2.6 kg	1.9 kg	1.6 kg	1.3 kg
120	3.1 kg	2.3 kg	1.9 kg	1.6 kg
150	3.5 kg	2.6 kg	2.2 kg	1.9 kg

This table applies to one gas-filled lid stay. The load bearing capacity doubles when using 2 gas-filled lid stays. It is recommended to use 2 gas filled lid stays for parallel and synchronized opening action of large lids.

Sample measurements for mounting dimensions when using hinges for full overlay mounting

Opening angle	A	B	C
75°	260 mm	80 mm	25 mm
90°	238 mm	80 mm	25 mm
110°	215 mm	70 mm	25 mm

Model	Cat. No.
60N	373.82.001
80N	373.82.002
100N	373.82.003
120N	373.82.004
150N	373.82.005



YOU ALSO NEED:

CONCEALED CUP HINGES
Page 34