



## Victorian Lever on Privacy Backplate

### Product Images

---



### Description

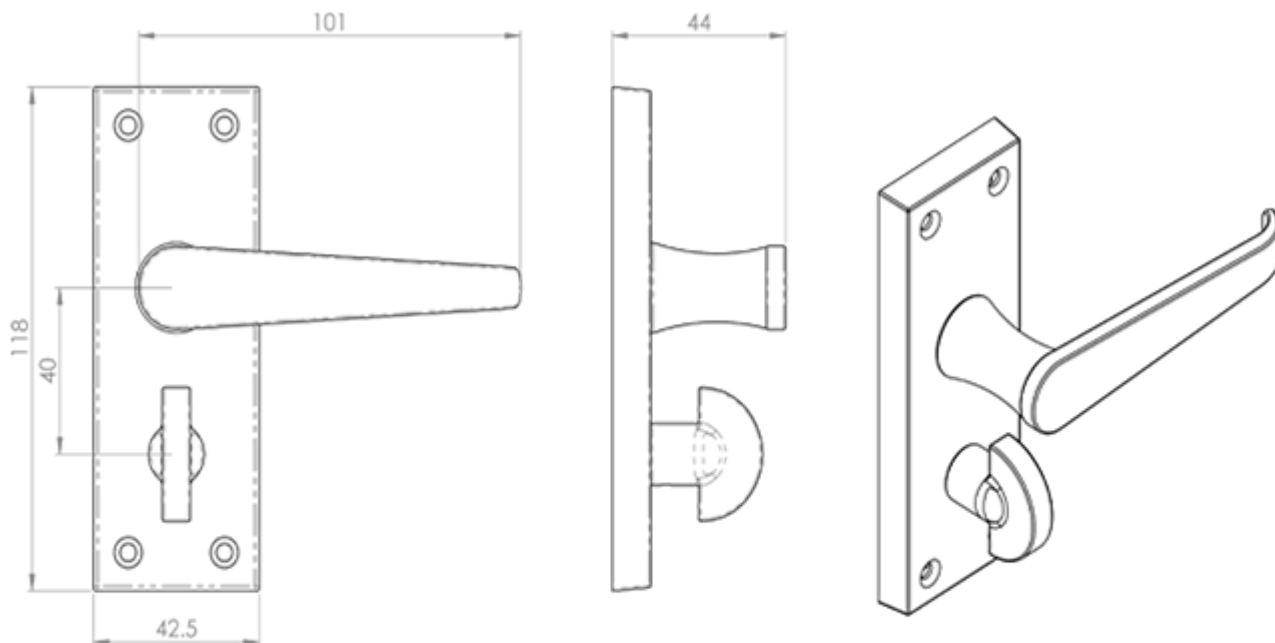
---

Lever on privacy backplate. A traditional Victorian styled handle on a plain rectangular backplate. A straight shaped lever which curves round at the end for easy ergonomic use. The heavy pattern design ensures that it will last for many years despite constant use in busy settings such as offices or restaurants. Privacy furniture is different from bathroom furniture as the turn mechanism engages a cam within the handle assembly locking the handle dead, where as the turn on bathroom furniture engages the deadbolt within the separate bathroom lock. Privacy furniture requires a separate mortice tubular latch not a bathroom lock. Comes with a 10 year mechanical guarantee and is Fire door rated.

[Click here for care instructions](#)

## Technical Details

---



### M31WC

This drawing is the property of Carlisle Brass Limited, all design rights reserved

## Specification

---



## Additional Information

---

Short Description	Victorian Lever on Privacy Backplate
SKU	M31WCCP
Brands	Carlisle Brass
Finishes	Polished Chrome
Options	Privacy
Sizes	118mm x 42.5mm Backplate
Features	Short Plate
Technical	4,49
Line Drawings	M31WC.PDF
Unit of Sale	Pair

