



Hat and Coat Hook

Product Images

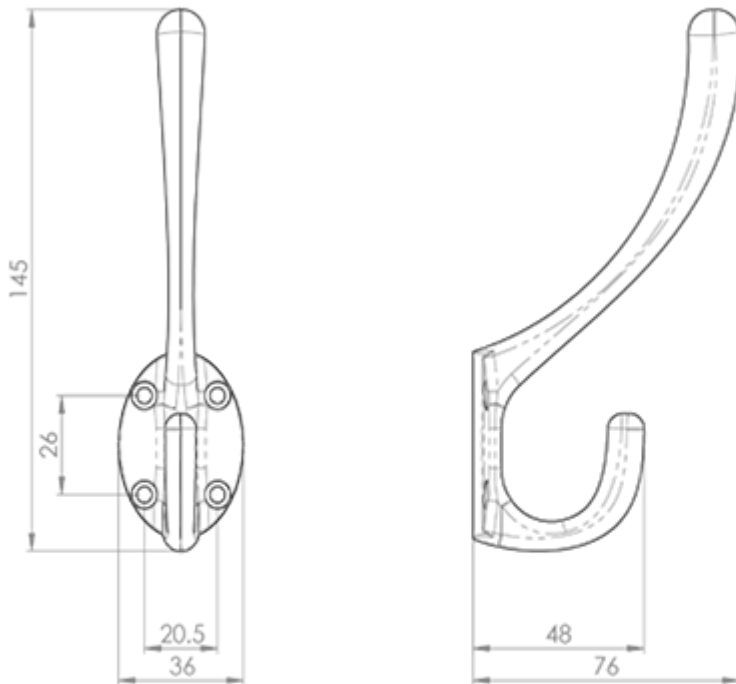


Description

A stylish heavyweight version of the conventional Victorian style. Noticeably heavier and chunkier than standard hat coat hooks. Ideal for bathrooms,

cloakrooms and bedrooms. The 4 hole fixing on the backplate ensures a solid fitting.

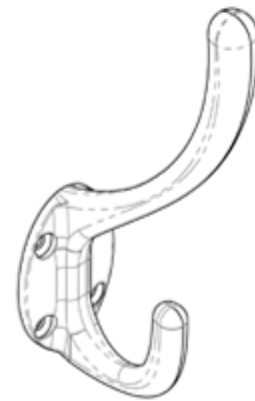
Technical Details



 CARLISLE BRASS

AQ25

This drawing is the property of Carlisle Brass Limited, all design rights reserved



Specification



Additional Information

Short Description	Hat and Coat Hook
SKU	AQ25 Range
Brands	Carlisle Brass
Technical	4
Line Drawings	AQ25.pdf

Product Options

Finishes: Polished Chrome

Satin Chrome

Polished Brass

Sizes: 141mm

