



Lytham Lever on WC Backplate

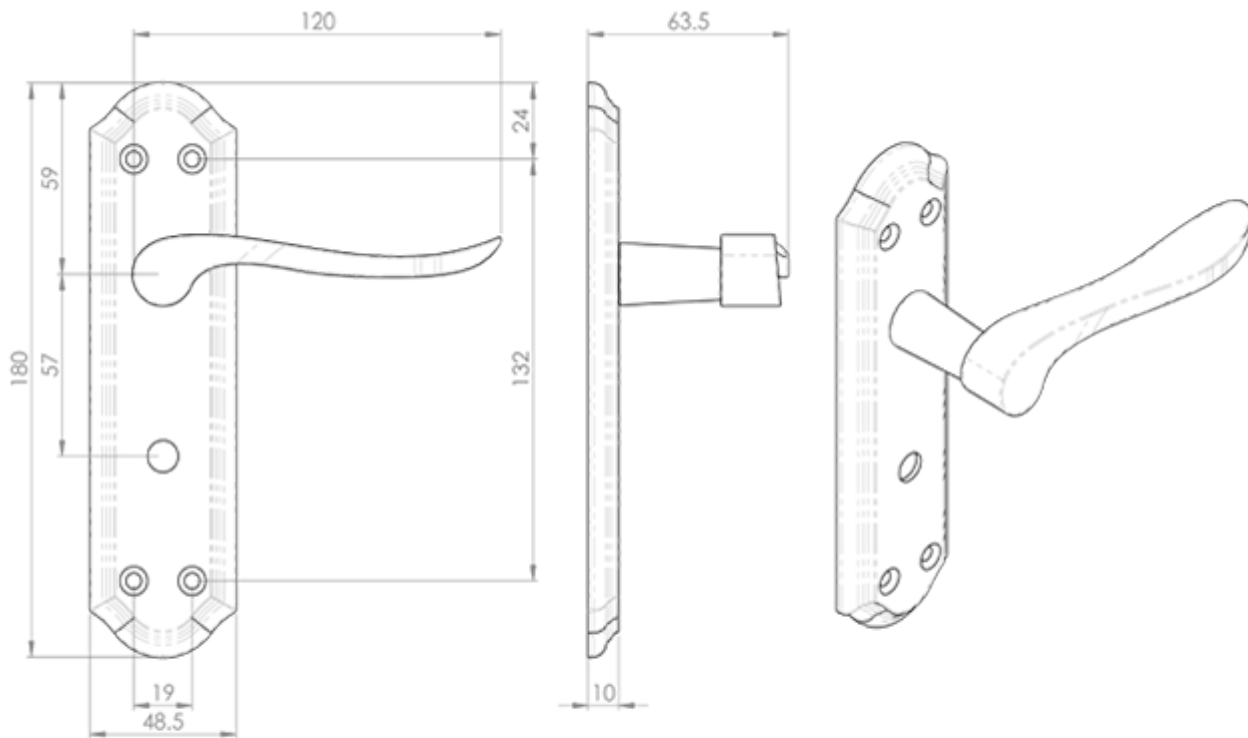
Product Images



Description

Lever on bathroom backplate. A gently undulating curved handle on a sculpted edge shaped backplate. The lever is slightly longer than normal allowing easy and comfortable operation. The shaped backplate has a unique, stepped design which nicely compliments the lever style. Comes with a 10 year mechanical guarantee and is Fire door rated.

Technical Details



© CARLISLE BRASS

DL452

This drawing is the property of Carlisle Brass Limited, all design rights reserved

Specification



Additional Information

SKU	DL452SBPB Range
Brands	Carlisle Brass
Finishes	Dual Finish-Polished/Satin Chrome
Technical	4,25,49
Line Drawings	DL452.PDF
Unit of Sale	Pair

Product Options

Options:	Blister Pack
	Boxed

