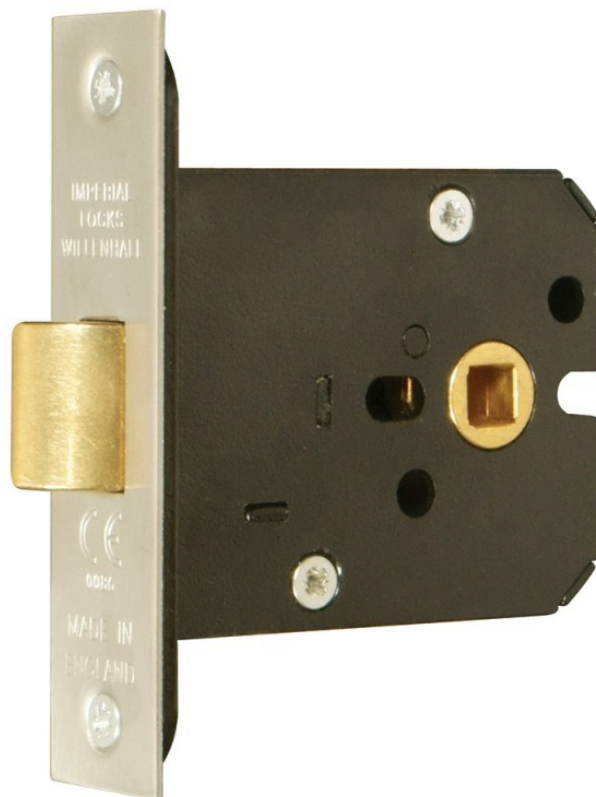


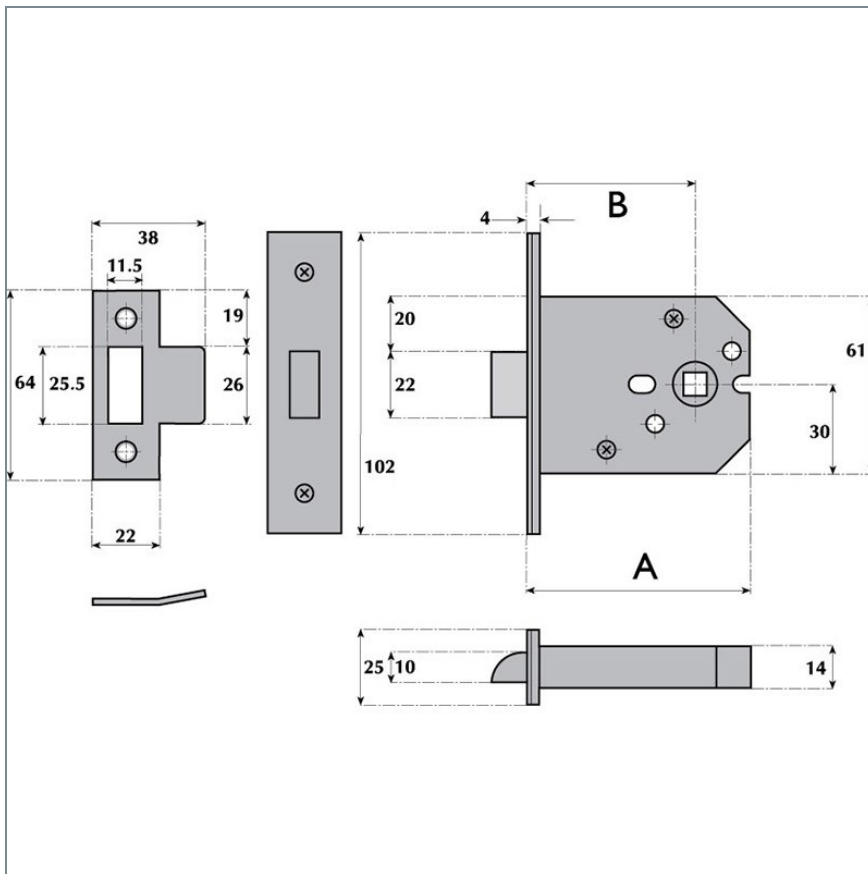


G4050 Mortice Latch



Description	Mortice latch for use on internal wooden hinged doors. CE Marked door lock Fire tested to BS EN 1634-1:2000. Latchbolt operated by lever handle or knob from either side. Supplied with striker plate and fixing screws. Finishes stainless steel (SS) or satin brass (SB). Other finishes available.
Operation	Latchbolt operated by lever handle or knob from either side
Case	76mm and 101mm sizes pierced to accept 38mm centre horizontally and diagonally opposed bolt through fixing furniture 63mm size pierced diagonally only
Striker Plate	Type E

Latchbolt	Brass, reversible. Projection 12mm
Follower	Brass, to suit 8mm square spindle. One-way action. Sprung to suit sprung lever handle furniture. For unsprung lever handle furniture heavy duty springing should be specified
Rebate Units To Suit	G3060-13mm G3061-19mm G3062-25mm
A Lock Case	63mm, 76mm, 101mm
B Backset	45mm, 57mm, 82mm



Guardian Lock & Engineering Co Ltd. Imperial Works, Wednesfield Road, Willenhall, West Midlands, WV13 1AL, United Kingdom.

+44(0)1902 635 964 | sales@imperiallocks.co.uk