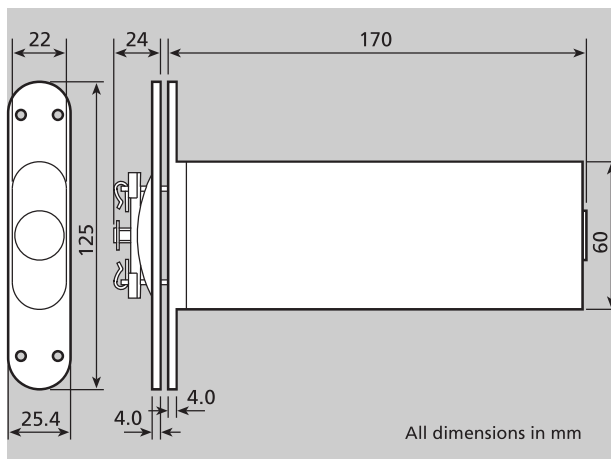


# Perkomatic®

Designed for light to medium use situations on internal doors up to 75kg in weight, Perkomatic® offers the ultimate in uncontrolled concealed door closing devices, with outstanding performance and excellent durability.

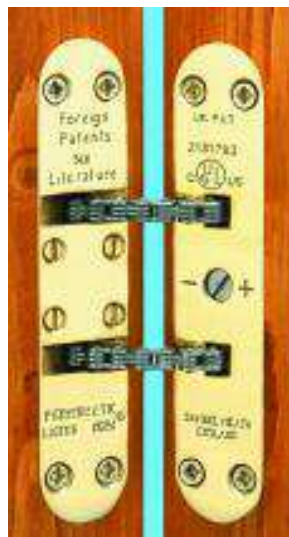
Housed in a lightweight aluminium casing, the hydraulic mechanism can be easily adjusted to provide the desired latching action for each application, whilst the precision engineered chain ensures smooth and lasting service. Supplied with fixing screws and full fitting instructions.



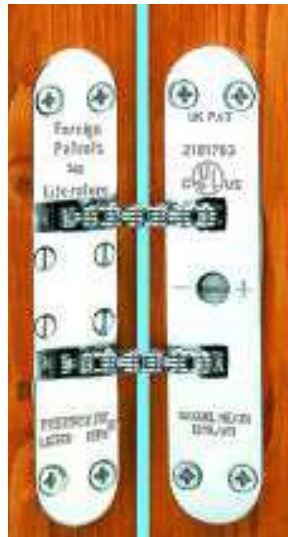
Perkomatic® R85



Perkomatic®



Perkomatic® R85.PB



Perkomatic® R85.CP



Perkomatic® R85.SCP



Perkomatic® R85.BMA