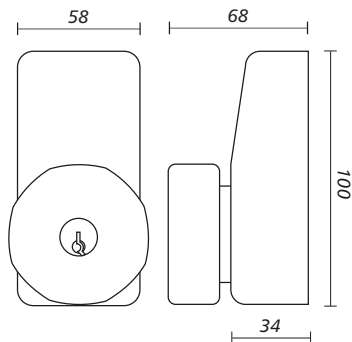


All the Exidor 200/300 series OADs have been certified for use with the Exidor 200/300 range of bolts and latches. The use of any other OAD will invalidate the CE marking on these products.

298 Knob Operated Outside Access Devices

The Exidor 298 is an economical OAD supplied with 2 keys and a 5 pin cylinder which cannot be master keyed. Suitable for use with the Exidor 200 & 300 series bolts and latches, the Exidor 298 offers access from the outside of the door.

- Non-handed
- Fire rated for use on timber and steel doors
- Surface mounted on the outside of the door using concealed machine screws
- Supplied as standard for doors up to 60mm thick.
- Longer spindles and screws are available on request for door thicknesses over 60mm.



All measurements in mm



298

302 Knob Operated Outside Access Devices

The Exidor 302 is supplied with 3 keys and has the advantage that a master keyed 40mm oval or Euro profile cylinder can be used. Suitable for use with the Exidor 200 & 300 series bolts and latches, the Exidor 302 offers access from the outside of the door.

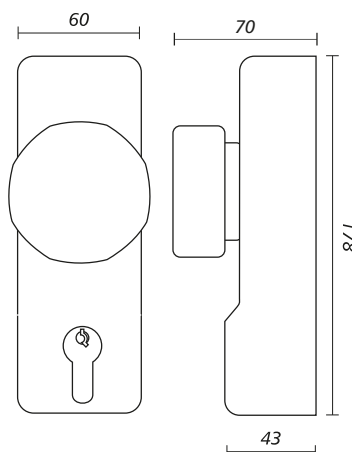
- Non-handed
- Fire rated for use on timber and steel doors
- Surface mounted on the outside of the door using concealed machine screws
- Supplied as standard for doors up to 45mm thick.
- Longer spindles and screws are available on request for door thicknesses over 45mm.

Performance

When locked, the mechanism is disengaged allowing the knob to freely rotate. When unlocked, the knob, spindle and mechanism engage allowing the shoots or latches of the panic bolt, or the panic latch, to be withdrawn from the outside. The knob remains engaged until it is re-locked.

Finishes

A choice of finishes are available (see page 4). However, plated finishes are not recommended for external environments as harsh conditions can break down the plating.



All measurements in mm



302EC

Options available

- 302EA outside access device with Euro profile aperture
- 302EC outside access device supplied with Euro cylinder
- 302OA outside access device with oval profile aperture
- 302OC outside access device supplied with oval cylinder
- 302KA outside access device with Kaba profile aperture
- 302EC/RK outside access device with key retention supplied with Euro cylinder
- 302EA/RK outside access device with key retention with Euro profile aperture

322 Lever Operated Outside Access Device

The Exidor 322 offers a lever operated outside access device that meets the dimensional requirements of BS8300 and approved Document "M" (DDA).

The 322 is supplied with 3 keys and has the advantage that a master keyed 45mm Euro profile cylinder can be used. Suitable for use with the Exidor 200 & 300 series, the 322 offers access from the outside of the door.

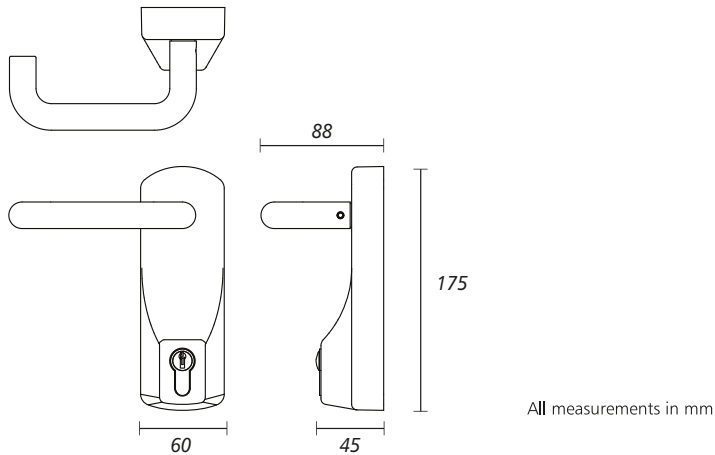
- Non-handed
- Meets the dimensional requirements of BS8300 and approved Document "M" (DDA)
- Lever is supplied with special shear screw designed to break under excessive force
- Surface mounted on the outside of the door using three concealed machine screws
- Same fixing points as the 302 OAD - easy retro fit
- Supplied as standard for doors up to 55mm thick
- Longer spindles available on request for door thicknesses over 55mm
- Longer spindles available on request for door thicknesses over 70mm

Performance

When locked, the lever is fixed in the horizontal position and the shear screw is designed to break under excessive force to prevent unauthorised entry. When unlocked, the lever, spindle and mechanism engage allowing the shoots, latch or Pullman latches to be withdrawn from the outside. The lever remains engaged until the mechanism is re-locked.

Finishes

A choice of finishes are available (see page 4). However, plated finishes are not recommended for external environments as harsh conditions can break down the plating.



Mechanical Push Button Outside Access Devices

Only suitable for use with the 296, 297, 305 and 306.

- CL1** Push Button Mechanical Code Lock
- CL2** Push Button Mechanical Code Lock with Passage Function
- CL3** Quick Code Mechanical Code Lock
(Code can be changed without removing the unit)

- 1,584 different codes available
- Non handed
- Reversible safety lever
- Surface mounted using concealed screws
- Clutch protection on the outside lever
- Supplied with spindles for doors from 35mm to 60mm thick
- PVD weather resistant finish
- Available in stainless steel or brass finishes



322EC

Options available

- 322EA Lever operated OAD with Euro profile aperture
- 322EC Lever operated OAD supplied with Euro cylinder



CL1 / CL2



CL3